

DC-A类轴流风扇

60×60×10MM SERIES

轴承结构：滚珠和含油结构

Bearing system: Ball or Sleeve

外框材质：环保防火PBT UL 94V-0

Frame: Thermoplastic PBT UL 94V-0

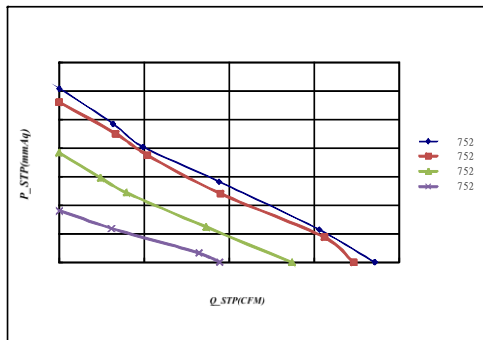
扇叶材质：环保防火PBT UL 94V-0

Impeller: Thermoplastic PBT UL 94V-0

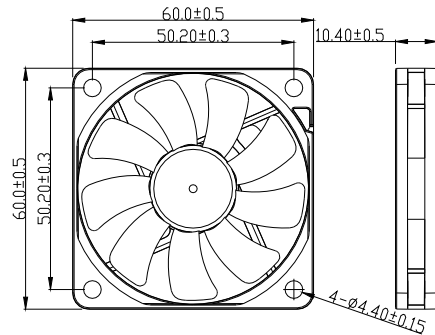
风扇单重：20.4g (Weight: 20.4g)



P&Q曲线(在额定电压下) P&Q CURVE (AT RATED VOLTAGE)



尺寸图 DIMENSIONS DRAWING



马达可选功能列表 (Available Functions)

1. 马达保护 (Motor protection)

RP	SS	LP	CL	OVP
●	●	●	●	○

2. 信号输出 (Signal out put)

FG	RD	RDB	LD
●	●	○	○

3. 调速方式 (Speed control mode)

PWM	TC	VC	CC	CS
●	○	○	○	○

MODEL	Rated Voltage	Operating Voltage Range	Rated Current	Rated Input Power	Speed	Maximum Air Flow		Maximum Air Pressure		Noise
型号	额定电压	工作电压范围	额定电流	额定输入功率	转速	最大风量		最大风压		噪音
PART NO.	VDC	VDC	Amp	Watt	R.P.M	m ³ /min	CFM	mmH ₂ O	INH ₂ O	DB-A
YY6010L05	5	3.6to6.8	0.07	0.35	2500	0.27	9.50	0.92	0.04	22.7
YY6010L12	12	7.0to13.5	0.03	0.36						
YY6010M05	5	3.6to6.8	0.12	0.60	3500	0.39	13.70	1.92	0.08	27.4
YY6010M12	12	7.0to13.5	0.05	0.60						
YY6010H12	12	7.0to13.5	0.11	1.32	4500	0.49	17.31	2.80	0.11	31.7
YY6010H24	24	18to26.5	0.06	1.44						
YY6010H12-HH	12	7.0to13.5	0.12	1.44	4800	0.53	18.56	3.04	0.12	33.4
YY6010H24-HH	24	18to26.5	0.07	1.64						

■ 如果您需要的转速或电压或功能不在这清单上，请与我们联系。 If you want another rpm or voltage or functions which one in the list, please contact with our sales.

■ 提示1：功能的具体信息参照产品目录前页篇章。

Notes 1: The catalog have detail information in the front page for the functions.

■ 提示2：产品详细信息请参照承诺书。

Notes 2: Product have a detail in the approval sheet.

■ 提示3：产品规格变更不另行通知。

Notes 3: Specifications are subject to change without notice.